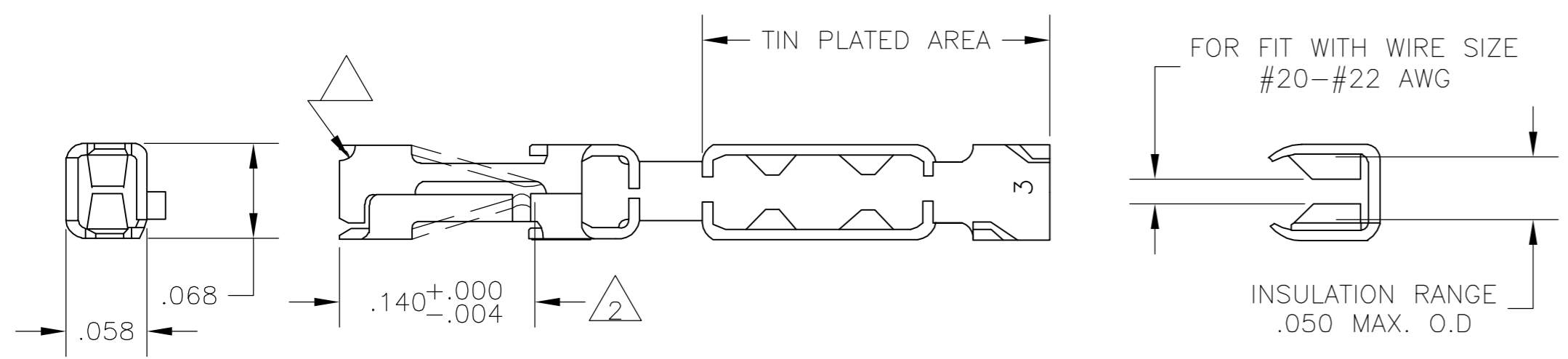
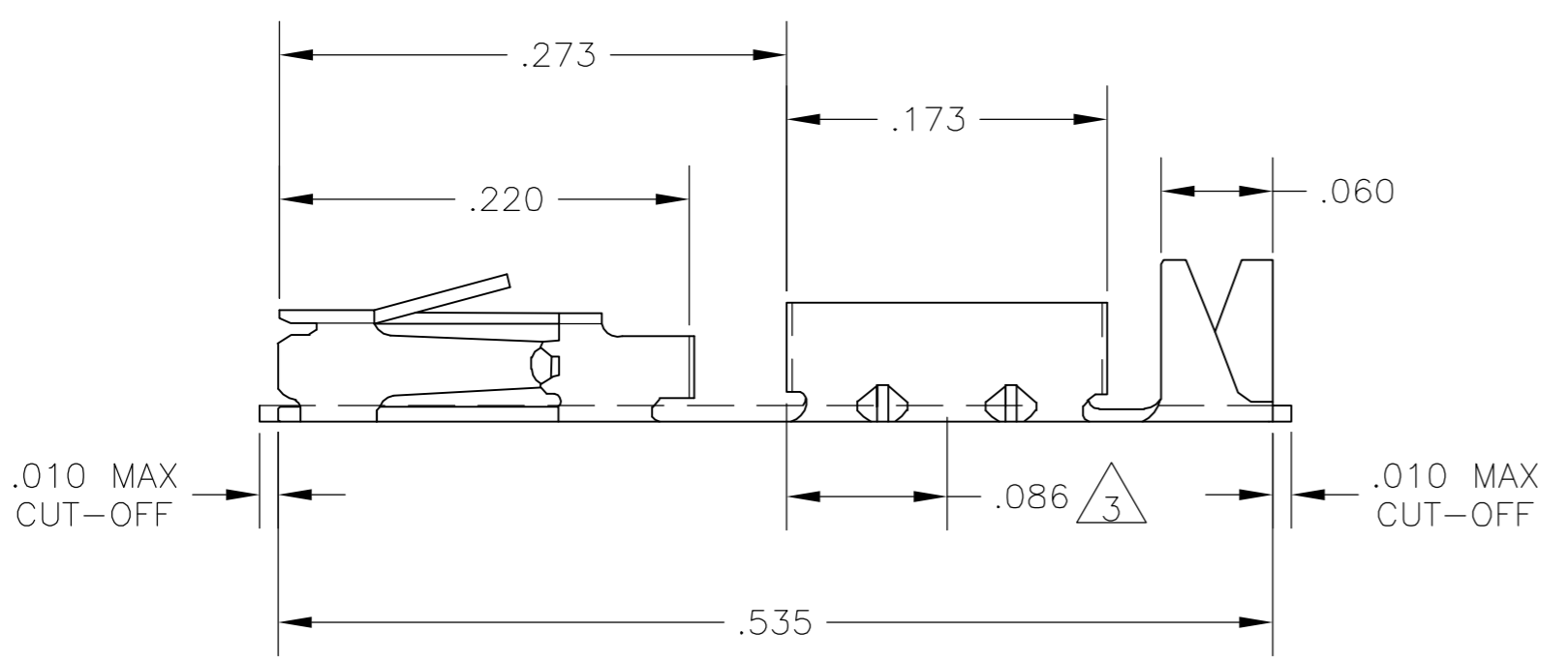


THIS DRAWING IS UNPUBLISHED. RELEASED FOR PUBLICATION  
 © COPYRIGHT BY TYCO ELECTRONICS CORPORATION. ALL RIGHTS RESERVED.

LOC	DIST	REVISIONS			
P	LTR	DESCRIPTION	DATE	DWN	APVD
AD	00	E	EC 0G3C 0645 04	10MAR05	BSV DFR



- △1 CUT OUTS ON BOX AT MANUFACTURER'S OPTION
- △2 POINT OF MEASUREMENT FOR PLATING THICKNESS (INSIDE BEAMS)
- △3 POINT OF MEASUREMENT FOR PLATING THICKNESS (OUTSIDE BOTTOM)
- △4 ROHS 2002/95/EC COMPLIANT



.000030 GOLD IN CONTACT AREA, .000050 MIN TIN IN AREA SHOWN, ALL OVER .000050 NICKEL.	5-104449-6
.000030 GOLD IN CONTACT AREA .000050 MIN TIN-PLATED IN AREA SHOWN, ALL OVER .000050 NICKEL	102449-3
PLATING	PART NO LOOSE PIECE

THIS DRAWING IS A CONTROLLED DOCUMENT.		DWN B.S.VISWESWARA 10MAR05	<b>tyco</b> Tyco Electronics Corporation	
DIMENSIONS: INCHES		CHK D.F.RHODE	Harrisburg, Pa 17105-3608	
TOLERANCES UNLESS OTHERWISE SPECIFIED:		APVD -	NAME	
0 PLC ± -		PRODUCT SPEC -	CONTACT-MOD IV MASS TERMINATION AMPMODU	
1 PLC ± -		APPLICATION SPEC -	#20-#22 AWG WIRE SIZE	
2 PLC ± -		SCALE A2	CAGE CODE 00779	DRAWING NO C=102449
3 PLC ± -		WEIGHT -	RESTRICTED TO -	REV E
4 PLC ± -		CUSTOMER DRAWING	SCALE 10:1	SHEET 1 OF 1
ANGLES ± -				
FINISH -				

102449